



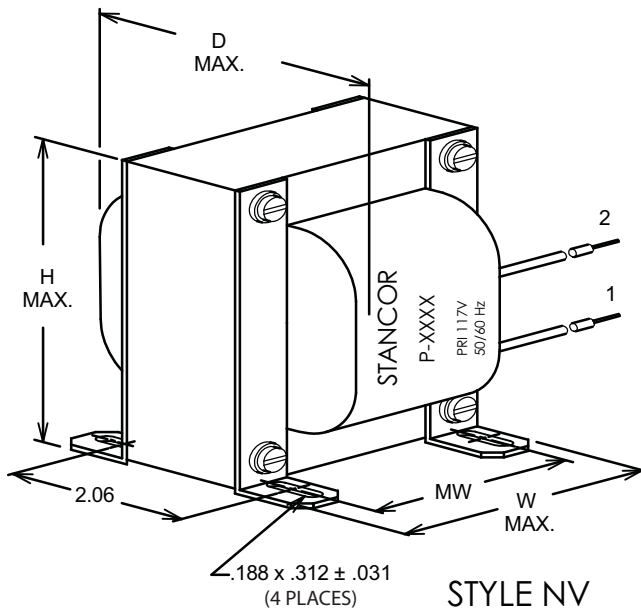
⚠ WARNING	
	<p style="text-align: center;">ELECTROCUTION HAZARD</p> <p>Disconnect electric power to system at main fuse or circuit breaker box before servicing. Failure to do so could result in death or serious injury.</p>
	<p style="text-align: center;">FIRE HAZARD</p> <p>Do not exceed transformer ratings. Higher voltage may damage control and could cause personal injury or property damage.</p>

SPECIFICATIONS:

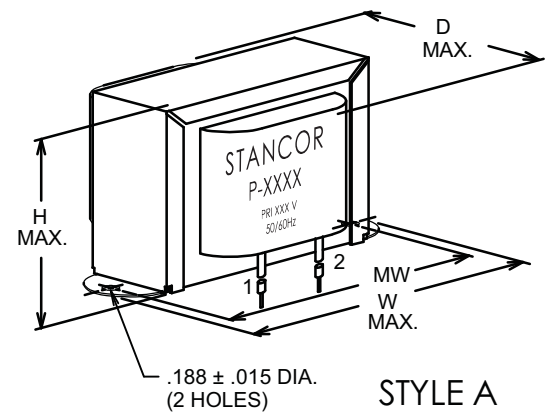
INPUT:	117V, 50/60Hz
OUTPUT:	12VAC: SEE SECONDARY CURRENT RATING & VA CAPACITY IN TABLE
INSULATION RATING:	CLASS A (105°C)
TEMPERATURE RISE:	65°C RISE ABOVE 40°C AMBIENT
DIELECTRIC STRENGTH:	1500 VRMS

NOTE:

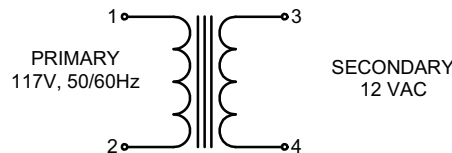
1. All leads 8" minimum length.



STYLE NV



STYLE A



SCHEMATIC DIAGRAM

STANCOR Part No.	Sec. Volts	Sec. Curr.	VA Cap.	Lead Wires				Mtg. Style	Dimensions - Inches					Wt. Lbs.	U.L. Recog.
				Primary		Secondary			H	W	D	MW	MD		
				Color	Awg	Color	Awg								
P-8390	12VAC	.15A	1.8	BLK	#22	BRN	#22	A	1.31	2.13	1.38	1.75	-	0.25	Yes *
P-8391	12VAC	.35A	4.2	BLK	#22	BRN	#22	A	1.44	2.44	1.50	2.00	-	0.35	No
P-8392	12VAC	.70A	8.4	BLK	#22	BRN	#22	A	1.75	2.88	1.62	2.38	-	0.60	Yes *
P-8393	12VAC	1.2A	14.4	BLK	#22	BRN	#22	A	2.06	3.31	1.75	2.81	-	0.85	No
P-8657	12VAC	2.0A	24	BLK	#22	GRN	#22	A	2.06	3.31	2.25	2.81	-	1.30	No
P-8658	12VAC	4.0A	48	BLK	#22	GRN	#22	A	2.69	4.06	2.38	3.56	-	2.30	No
P-8659	12VAC	6.0A	72	BLK	#22	GRN	#18	NV	3.56	2.94	2.75	2.25	2.13	3.40	No
P-8660	12VAC	8.0A	96	BLK	#22	GRN	#16	NV	4.00	3.25	2.88	2.50	2.13	4.30	No

*Recognized to U.L. Standard 506, File No. E68100