



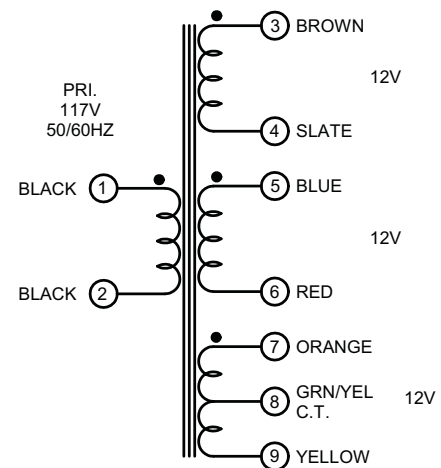
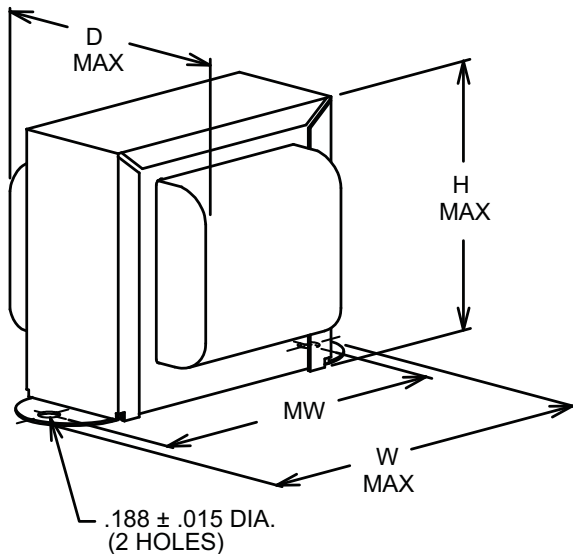
⚠ WARNING	
	<p style="text-align: center;">ELECTROCUTION HAZARD</p> <p>Disconnect electric power to system at main fuse or circuit breaker box before servicing. Failure to do so could result in death or serious injury.</p>
	<p style="text-align: center;">FIRE HAZARD</p> <p>Do not exceed transformer ratings. Higher voltage may damage control and could cause personal injury or property damage.</p>

SPECIFICATIONS:

INPUT:	117V, 50/60Hz
OUTPUT:	SEE NOTE 1.
INSULATION RATING:	CLASS A (105°C)
TEMPERATURE RISE:	65°C RISE ABOVE 40°C AMBIENT
DIELECTRIC STRENGTH:	1500VRMS

NOTE:

- Three isolated 12 Volt secondaries (one with a center tap) provide many combinations of output voltages and currents by series or parallel combinations.
- All leads #22 AWG, 8" long minimum, stripped and tinned 3/8".



SCHEMATIC DIAGRAM
Dots indicates like polarity

STANCOR Part No.	Amperes each Sec.	Dimensions - Inches				Wt. Lbs.
		H	W	D	MW	
P-8361	0.10	1.75	2.06	1.62	1.72	0.36
P-8362	0.15	2.06	2.44	1.88	2.00	0.60
P-8364	0.50	2.53	2.94	2.13	2.38	1.25