

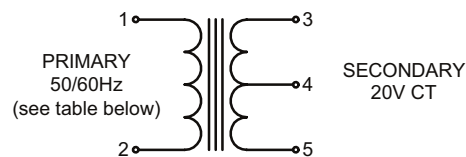
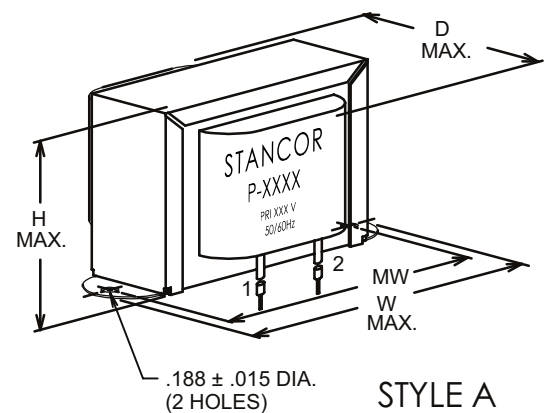
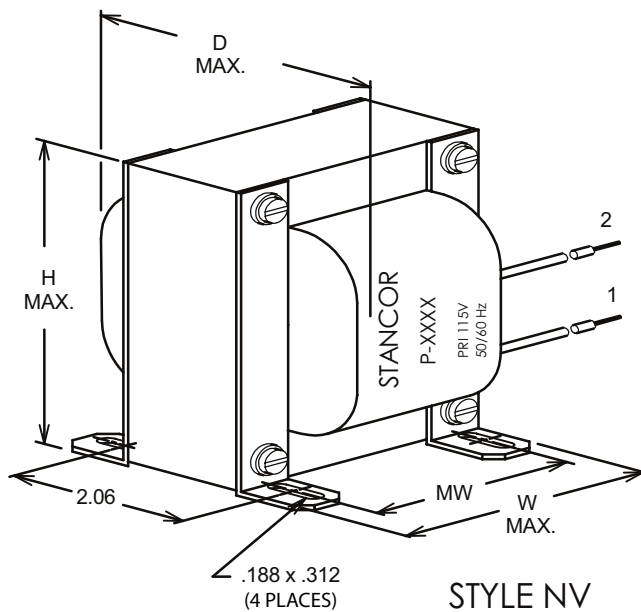


⚠ WARNING	
	<p><b>ELECTROCUTION HAZARD</b></p> <p>Disconnect electric power to system at main fuse or circuit breaker box before servicing. Failure to do so could result in death or serious injury.</p>
	<p><b>FIRE HAZARD</b></p> <p>Do not exceed transformer ratings. Higher voltage may damage control and could cause personal injury or property damage.</p>

### SPECIFICATIONS:

INPUT:	50/60Hz (SEE TABLE BELOW FOR PRIMARY VOLTAGE)
OUTPUT:	20V CT, (SEE SECONDARY CURRENT RATING & VA CAPACITY IN TABLE)
INSULATION RATING:	CLASS A (105° C)
TEMPERATURE RISE:	65° C RISE ABOVE 40° C AMBIENT
DIELECTRIC STRENGTH:	1500 VRMS



SCHEMATIC DIAGRAM

STANCOR Part No.	Pri. Volts	Mtg. Style	Sec. Curr.	V.A. Cap.	Dimensions - Inches				Wt. Lbs.	U.L. Recog.	Pri. Leads				Sec. Leads				
					H	W	D	MW			Color		AWG	Lgth.	Color			AWG	Lgth.
											#1	#2			#3	#4 (C.T.)	#5		
P-8604	117	A	1.0A	20	2.06	3.31	2.25	2.81	1.40	Yes*	BLK	BLK	#22	6"	GRN	GRN/YEL	GRN	#22	6"
P-8559	115	A	2.0A	40	2.69	4.06	2.38	3.56	2.50	No	BLK	BLK	#22	6"	BLU	BLU/YEL	BLU	#22	6"
P-8560	115	NV	4.0A	80	3.56	2.88	3.19	2.25	4.00	No	BLK	BLK	#18	8"	BLU	BLU/YEL	BLU	#18	8"

\* Recognized to UL Standard 506, File No. E68100