


STANCOR®

592 Series Class 2 Transformers Energy Limiting Transformers

⚠ WARNING

ELECTROCUTION HAZARD

Disconnect electric power to system at main fuse or circuit breaker box before servicing. Failure to do so could result in death or serious injury.



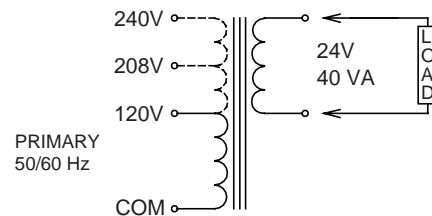
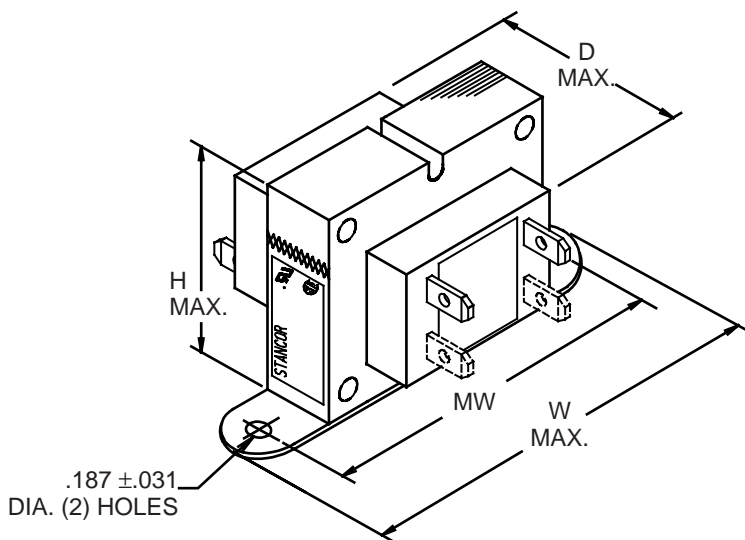
⚠ CAUTION

Do not use on circuits exceeding rating of transformer. Higher voltage will damage control and could cause personal injury or property damage.

INPUT:	50/60Hz (See table below)
OUTPUT:	24 VAC, 1.67 A (40 VA)
INSULATION RATING:	Class B (130°C)
TEMPERATURE RISE:	85°C Max. rise over 40°C Max. ambient
DIELECTRIC STRENGTH:	1500 VRMS
AGENCY STANDARDS:	UL Recognized: UL-1585 CSA Certified: C22.2 #66
FILE NOS:	UL - E109254 CSA - LR67888

NOTES:

1. All dimensions in inches, unless otherwise specified.
2. All dimensions $\pm .062$, unless otherwise specified.
3. Unit weight approximately 1.5 lbs.



SCHEMATIC DIAGRAM

STANCOR Part No.	Input Volts	Dimensions - Inches				Terminations	
		H	W	D	MW	Input	Output
592-9012	120	2.25	3.69	2.25	3.13	1/4"QC	1/4"QC
592-9013	240	2.25	3.69	2.25	3.13	1/4"QC	1/4"QC
592-9016	120 / 240	2.25	3.69	2.25	3.13	1/4"QC	1/4"QC
592-9017	208 / 240	2.25	3.69	2.25	3.13	1/4"QC	1/4"QC
592-9018	120 / 208 / 240	2.25	3.69	2.25	3.13	1/4"QC	1/4"QC

PART NO. 37-6226B

Replaces 37-6226A

0838