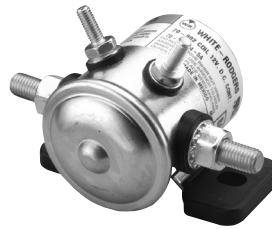


RELAYS AND CONTACTORS

D.C. Power Contactors – Type 70

Type 70
SPNO



| Sec. | STANCOR PART NUMBER | Duty Cycle | Terminal Type* | Pole Form | Bracket Style | Coil Volt. D.C. | Coil Resistance (Ohms) @ 25°C | Contact Material | Contact Rating-(Amps.) Inductive Load | | | | DIMENSIONS INCHES | | | Weight (oz.) | Agency* Certif. | |
|------|---------------------|------------|----------------|-----------|---------------|-----------------|-------------------------------|------------------|---------------------------------------|--------------------------|----------------------------|------------------------|------------------------|------|------|--------------|-----------------|----|
| | | | | | | | | | Volt. D.C. | Normally Open Continuous | Normally Closed Continuous | Normally Open Inrush** | Normally Closed Inrush | L | W | | | H |
| A | 70-901 | Continuous | 4 | SPNO | Standard | 6 | 4 | Copper | 6 | 80 | 300 | - | - | 2.47 | 3.48 | 2.40 | 12.5 | RU |
| | 70-914 | Continuous | 3A | SPNO | Standard | 12 | 16 | Copper | 12 | 80 | 150 | - | - | 2.47 | 3.48 | 2.40 | 12.5 | RU |
| B | 70-918 | Continuous | 3B | SPNO | Standard | 12 | 16 | Copper | 12 | 80 | 150 | - | - | 2.47 | 3.48 | 2.40 | 12.5 | RU |
| | 70-902 | Continuous | 4 | SPNO | Standard | 12 | 16 | Copper | 12 | 80 | 150 | - | - | 2.47 | 3.48 | 2.40 | 12.5 | RU |
| | 70-906 | Continuous | 4 | SPNO | Standard | 12 | 16 | Silver | 12 | 80 | 150 | - | - | 2.47 | 3.48 | 2.40 | 12.5 | RU |
| | 70-915 | Continuous | 3A | SPNO | Standard | 24 | 60 | Copper | 24 | 50 | 50 | - | - | 2.47 | 3.48 | 2.40 | 12.5 | RU |
| C | 70-903 | Continuous | 4 | SPNO | Standard | 24 | 60 | Copper | 24 | 50 | 50 | - | - | 2.47 | 3.48 | 2.40 | 12.5 | RU |
| | 70-907 | Continuous | 4 | SPNO | Standard | 24 | 60 | Silver | 24 | 50 | 50 | - | - | 2.47 | 3.48 | 2.40 | 12.5 | RU |
| | 70-904 | Continuous | 4 | SPNO | Standard | 36 | 114 | Copper | 36 | 50 | 50 | - | - | 2.47 | 3.48 | 2.40 | 12.5 | RU |
| | 70-908 | Continuous | 4 | SPNO | Standard | 36 | 114 | Silver | 36 | 50 | 50 | - | - | 2.47 | 3.48 | 2.40 | 12.5 | RU |

* Terminal Type: "3A" = Grounding coil wire supplied
 "3B" = Coil Common to Load
 "4" = Isolated Coil

For outline drawings refer to pages 50-51.

** Inrush Current: Current applied within the first 1/2 second of contact closure

* Agency Certification Note: U.L. 583 Recognized (File AU2138)

Engineering Design Data

| D.C. Type | Coil Rating Nominal Magnetic Coil Rating (Watts) | Operation in % of Nom. Coil Voltage Rating | | Breakdown Voltages All Terminals - 60 Hz RMS | | | Contact Material Power | Electrical Life | | Mechanical Life | | Max. Oper. Temp. °F |
|-----------|--|--|-------------------|---|-----------------------------|-----------|---------------------------|---------------------|----------------|--------------------|----------------|---------------------|
| | | Pick-up | Max. Safe Operate | Opposite Polarity | Open Contacts Same Polarity | To Ground | | Oper. At Rated Load | Oper. Per Min. | Oper. At No Load | Oper. Per Min. | |
| 70 | 9 | 75% | 110% | 500 | 500 | 500 | Copper Silver Alloy | 100,000 200,000 | 4 4 | 250,000 250,000 | 4 4 | 122 - |

Temperature Range

— -40°F to 122°F

Terminations

— Contacts: 5/16"-24 UNF-2A thread
 — Coil: #10-32 UNF-2A thread

Recommended Mounting

— Plunger vertical with cap down

Hardware Torque Specification

— Contact Terminal: 45-55 inch-lbs.
 — Coil Terminal: 12-18 inch-lbs.
 — Insulated Mounting Brackets
 — **Caution: A back-up wrench must be used to hold the bottom nut stationary.**

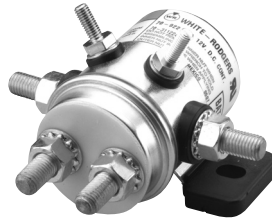
Type 70 Custom Design Capabilities

— Coil Voltage 6 VDC through 36 VDC
 — Curved mounting bracket
 — Please complete application data form on page 95 of this section.

Note: Caution must be used in coil selection for use in 12 volt systems where battery charging may expose coil to continuous, higher-than-rated voltage.
Stancor will not be responsible for consequences of misapplied solenoids.

RELAYS AND CONTACTORS

D.C. Power Contactors – Type 70



Type 70
SPDT



| Sec. | STANCOR PART NUMBER | Duty Cycle | Terminal Type* | Pole Form | Bracket Style | Coil Volt. D.C. | Coil Resistance (Ohms) @ 25°C | Contact Material | Contact Rating-(Amps.) Inductive Load | | | | DIMENSIONS INCHES | | | Weight (oz.) | Agency* Certif. | |
|------|---------------------|------------|----------------|-----------|---------------|-----------------|-------------------------------|----------------------------|---------------------------------------|--------------------------|----------------------------|--------------------------|-------------------|------|------|--------------|-----------------|----|
| | | | | | | | | | Volt. D.C. | Normally Open Continuous | Normally Closed Continuous | Normally Closed Inrush** | L | W | H | | | |
| A | 70-922 | Continuous | 6 | SPDT | Standard | 12 | 16 | N.O. Copper N.C. Silver | 12 | 80 | 300 | 60 | 60 | 3.31 | 3.48 | 2.40 | 14.0 | RU |
| | 70-910 | Continuous | 6 | SPDT | Standard | 12 | 16 | N.O. and N.C. Silver | 12 | 80 | 150 | 60 | 60 | 3.31 | 3.48 | 2.40 | 14.0 | RU |
| B | 70-923 | Continuous | 6 | SPDT | Standard | 24 | 60 | N.O. Copper N.C. Silver | 24 | 50 | 50 | 30 | 30 | 3.31 | 3.48 | 2.40 | 14.0 | RU |
| | 70-911 | Continuous | 6 | SPDT | Standard | 24 | 60 | N.O. and N.C. Silver | 24 | 50 | 50 | 30 | 30 | 3.31 | 3.48 | 2.40 | 14.0 | RU |
| | 70-912 | Continuous | 6 | SPDT | Standard | 36 | 114 | N.O. and N.C. Silver | 36 | 50 | 50 | 30 | 30 | 3.31 | 3.48 | 2.40 | 14.0 | RU |

* Terminal Type: "6" = Isolated Coil

** Inrush Current: Current applied within the first 1/2 second of contact closure

★ Based on 50K Cycles

* Agency Certification Note: U.L. 583 Recognized (File AU2138)

For outline drawings refer to page 51.

Engineering Design Data

| D.C. Type | Coil Rating Nominal Magnetic Coil Rating (Watts) | Operation in % of Nom. Coil Voltage Rating | | Breakdown Voltages All Terminals - 60 Hz RMS | | | Contact Material | | Electrical Life | | Mechanical Life | | Max. Oper. Temp. °F |
|-----------|--|--|-------------------|--|-----------------------------|-----------|------------------|-------|---------------------|----------------|------------------|----------------|---------------------|
| | | Pick-up | Max. Safe Operate | Opposite Polarity | Open Contacts Same Polarity | To Ground | Power | Pilot | Oper. At Rated Load | Oper. Per Min. | Oper. At No Load | Oper. Per Min. | |
| 70 | 9 | 75% | 110% | 500 | 500 | 500 | Copper | - | 100,000 | 4 | 250,000 | 4 | 122 |
| | | | | | | | Silver | - | 200,000 | 4 | 250,000 | 4 | - |

Temperature Range

— -40°F to 122°F

Terminations

- Contacts: 5/16"-24 UNF-2A thread
- Coil: #10-32 UNF-2A thread

Recommended Mounting

— Plunger vertical with cap down

Hardware Torque Specification

- Contact Terminal: 45-55 inch-lbs.
- Coil Terminal: 12-18 inch-lbs.
- **Caution: A back-up wrench must be used to hold the bottom nut stationary.**

Type 70 Custom Design Capabilities

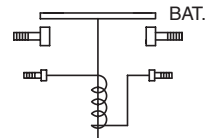
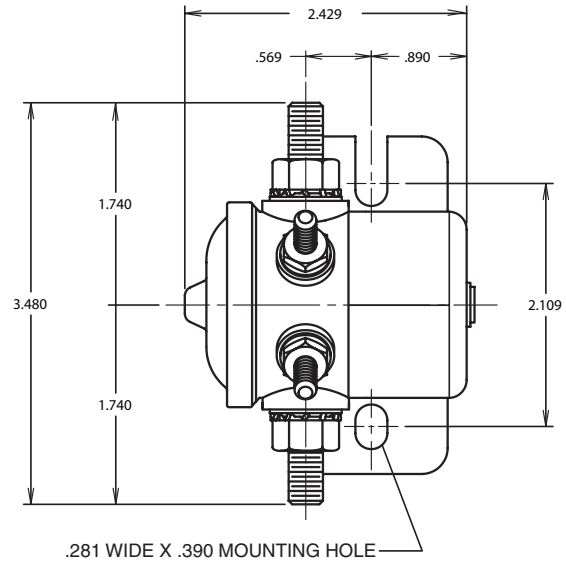
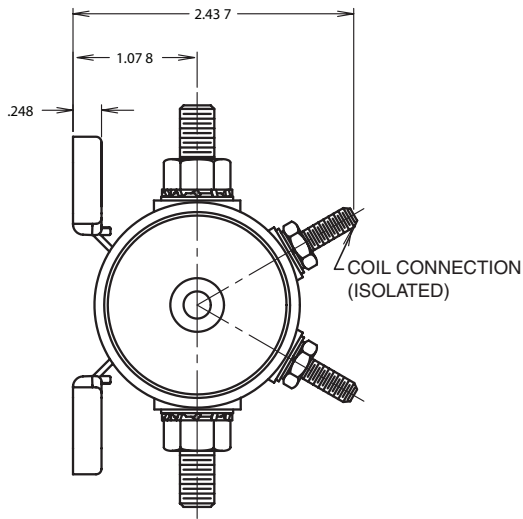
- Coil Voltage 6 VDC through 36 VDC
- Curved mounting bracket
- Please complete application data form on page 95 of this section.

Note: Caution must be used in coil selection for use in 12 volt systems where battery charging may expose coil to continuous, higher-than-rated voltage.
Stancor will not be responsible for consequences of misapplied solenoids.

RELAYS AND CONTACTORS

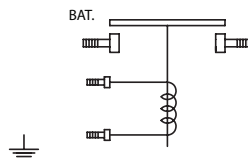
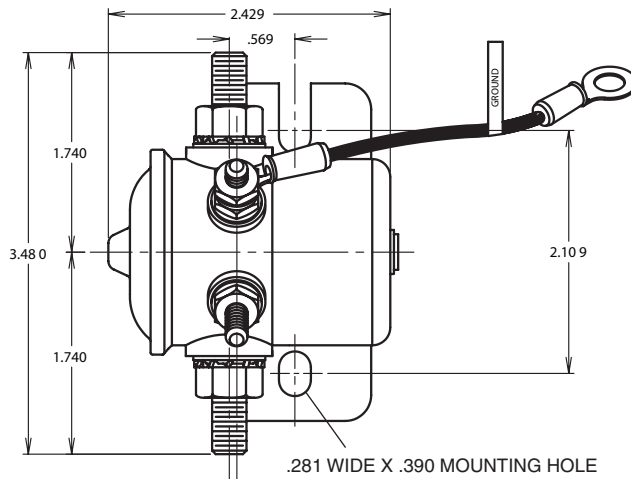
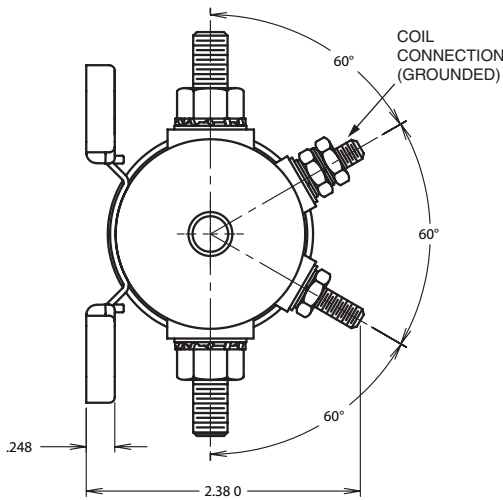
Type 70

Terminal Type 4 – Isolated Coil



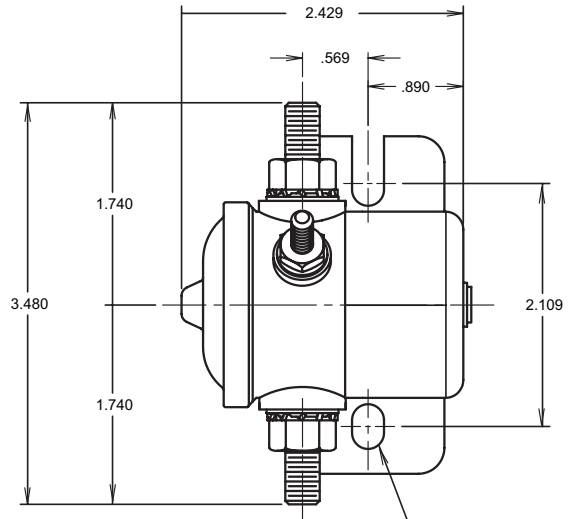
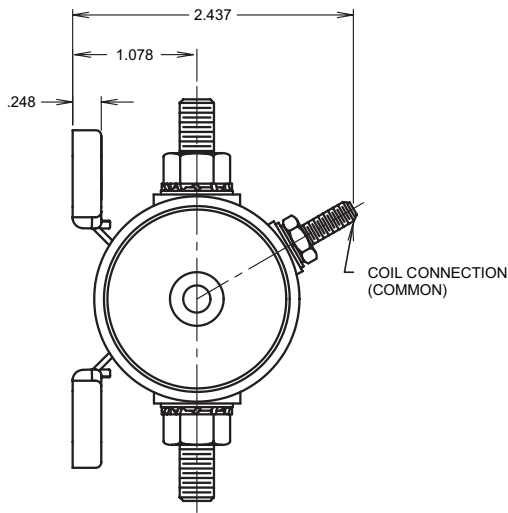
CIRCUIT DIAGRAM

Terminal Type 3A – Coil Terminal to Ground

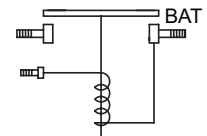


CIRCUIT DIAGRAM

Terminal Type 3B – Coil Common to Load

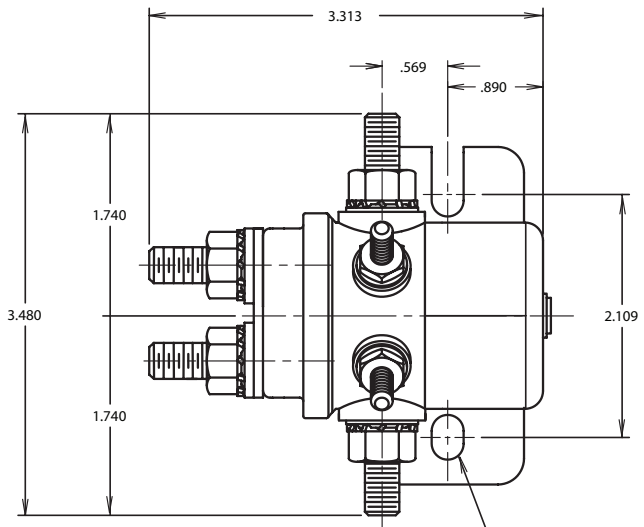
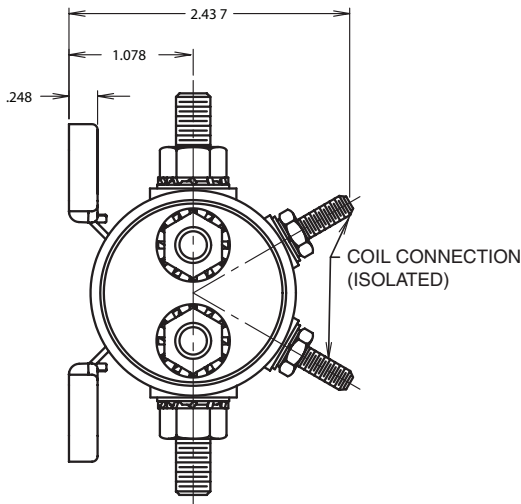


.281 WIDE X .390 MOUNTING HOLE

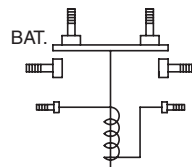


CIRCUIT DIAGRAM

Terminal Type 6 – Isolated Coil



.281 WIDE X .390 MOUNTING HOLE



CIRCUIT DIAGRAM