

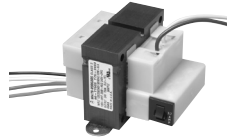
CLASS 2 TRANSFORMERS

Class 2 Transformers

592 Series



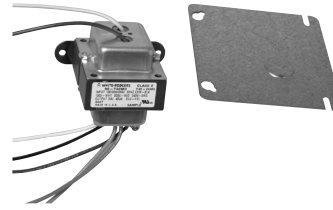
C Series



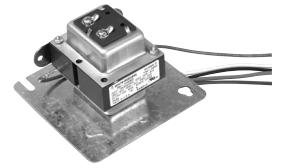
F Series



M Series



S Series



All Primaries 50/60 Hz.

STANCOR PART NUMBER	Input Voltage	Hz	Output Voltage	Output Current	VA	Mounting	Pri Term	Sec Term	DIMENSIONS - INCHES				Weight (lbs.)	Agency [®] Certification
									H	W	D	MW		
A 592-9012	120	50/60	24	1.67	40	Foot	1/4 QC	1/4 QC	2.25	3.69	2.25	3.13	1.5	UL/CSA
592-9013	240	50/60	24	1.67	40	Foot	1/4 QC	1/4 QC	2.25	3.69	2.25	3.13	1.5	UL/CSA
592-9016	120/240	50/60	24	1.67	40	Foot	1/4 QC	1/4 QC	2.25	3.69	2.25	3.13	1.5	UL/CSA
592-9017	208/240	50/60	24	1.67	40	Foot	1/4 QC	1/4 QC	2.25	3.69	2.25	3.13	1.5	UL/CSA
592-9018	120/208/240	50/60	24	1.67	40	Foot	1/4 QC	1/4 QC	2.25	3.69	2.25	3.13	1.5	UL/CSA
B T40-24F1	120	60	24	1.67	40	Foot	Leads	Leads	2.75	3.25	2.19	2.81	1.36	cUL US
T40-24F2	208/240	50/60	24	1.67	40	Foot	Leads	Leads	2.75	3.25	2.19	2.81	1.44	cUL US
T40-24F3	120/208/240	60	24	1.67	40	Foot	Leads	Leads	2.75	3.25	2.19	2.81	1.44	cUL US
T40-24	120/208/240	50/60	24	1.67	40	Foot	Leads	Leads	2.25	3.69	2.31	3.17	1.75	cUL US
T50-24F3	120/208/240	60	24	2.08	50	Foot	Leads	Leads	2.75	3.25	2.62	2.81	1.96	cUL US
C T40-24M1	120	60	24	1.67	40	Universal*	Leads	Leads	2.75	3.25	2.44	2.81	1.85	cUL US
T40-24M2	208/240	50/60	24	1.67	40	Universal*	Leads	Leads	2.75	3.25	2.44	2.81	1.85	cUL US
T40-24M3	120/208/240	60	24	1.67	40	Universal*	Leads	Leads	2.75	3.25	2.44	2.81	1.85	cUL US
T50-24M3	120/208/240	60	24	2.08	50	Universal*	Leads	Leads	2.75	3.25	2.81	2.81	2.10	cUL US
D T40-24S1	120	60	24	1.67	40	Universal*	Leads	Screw	2.75	3.25	2.44	2.81	1.85	cUL US
T40-24S2	208/240	50/60	24	1.67	40	Universal*	Leads	Screw	2.75	3.25	2.44	2.81	1.85	cUL US
T40-24S3	120/208/240	60	24	1.67	40	Universal*	Leads	Screw	2.75	3.25	2.44	2.81	1.85	cUL US
T50-24S3	120/208/240	60	24	2.08	50	Universal*	Leads	Screw	2.75	3.25	2.81	2.81	2.10	cUL US
E T50-24C3	120/208/240	50/60	24	2.08	50	Foot	Leads	Leads	2.62	4.00	3.25	3.56	2.12	cUL US
T60-24C3	120/208/240	50/60	24	2.50	60	Foot	Leads	Leads	2.62	4.00	3.25	3.56	2.19	cUL US
T75-24C3	120/208/240	50/60	24	3.12	75	Foot	Leads	Leads	2.62	4.00	3.53	3.56	2.48	cUL US
T100-25C1	120	60	25	4.00	100	Foot	Leads	Leads	2.62	4.00	3.38	3.56	2.65	cUL US
T100-25C2	208/240	50/60	25	4.00	100	Foot	Leads	Leads	2.62	4.00	3.63	3.56	3.00	cUL US

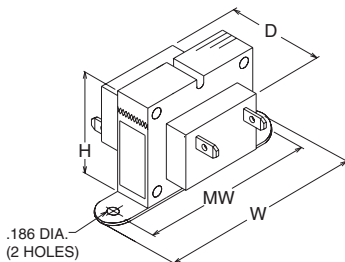
* Universal mounting includes 4 x 4 Plate

For additional outline drawings refer to page 44.

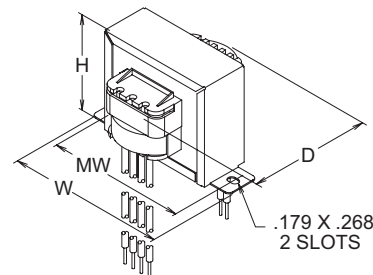
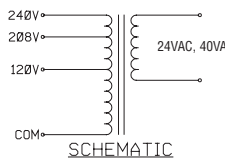
© Agency Certification Note: UL Recognized (File E-109254)

CSA Certified (File LR 67888)

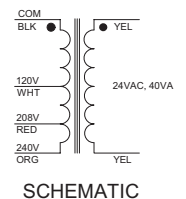
UL Recognized for use in the U.S. and Canada (File E-33334)



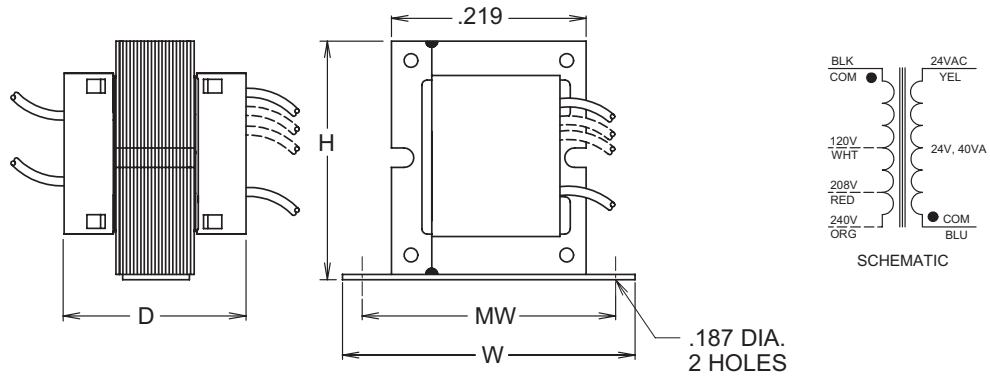
592 Series



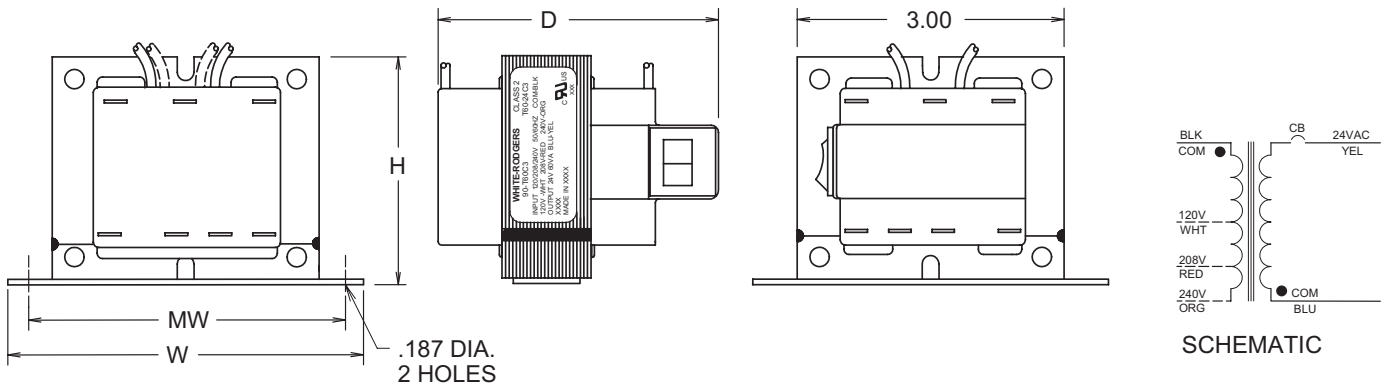
T40-24



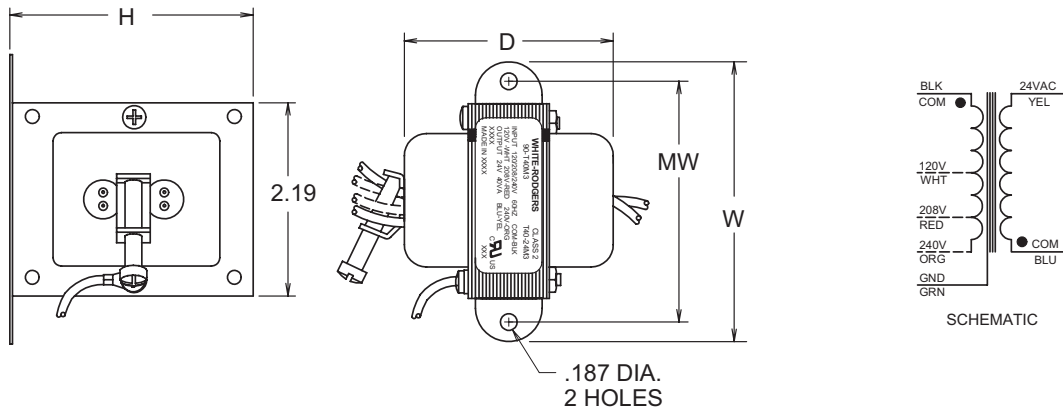
CLASS 2 TRANSFORMERS



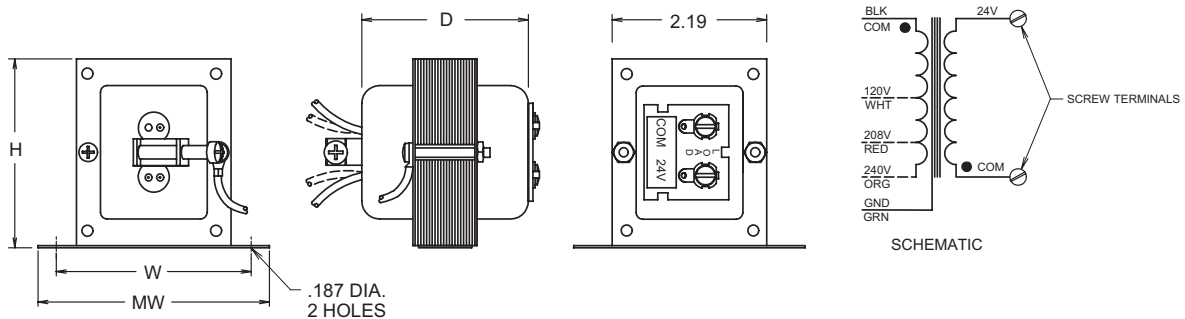
F Series: T4024F1, T40-24F2, T40-24F3, T50-24F3



C Series: T50-24C3, T60-24C3, T75-24C3, T100-25C1, T100-25C2



M Series: T40-24M1, T40-24M2, T40-24M3, T50-24M3



S Series: T40-24S1, T40-24S2, T40-24S3, T50-24S3

• Like polarity